

Specification Status: Released

Electrical Rating

Voltage: 60V MAX
Current: 40A MAX

Insulating Material:

Cured, Flame Retardant Epoxy Polymer
 meets UL94 V-0 Requirements

Lead Material:

24 AWG Tin Plated Nickel Copper Alloy

Marking:

- Raychem Logo and Voltage
- XX 60
- XF010 — Part Identification
- — Lot Identification (can be on back)

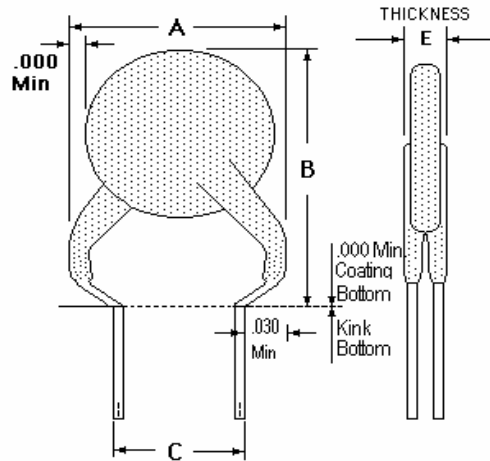


TABLE I. DIMENSIONS:

	A		B		C		D		E	
	MIN	MAX	MIN	MAX	MIN	MAX	MIN	MAX	MIN	MAX
mm:	--	8.9	--	11.2	4.3	5.8	7.6	--	--	3.0
in*:	--	(0.35)	--	(0.44)	(0.17)	(0.23)	(0.30)	--	--	(0.12)

*Rounded off approximation

TABLE II. PERFORMANCE RATINGS:

I HOLD RATED CURRENT	CURRENT RATINGS		INITIAL RESISTANCE VALUES		TIME TO TRIP	ONE HOUR POST-TRIP RESISTANCE STANDARD TRIP	TRIPPED-STATE POWER DISSIPATION
AMPERES AT 20°C HOLD	AMPERES AT 20°C HOLD	TRIP	OHMS AT 20°C		SECONDS AT 20°C, 0.5A MAX	OHMS AT 20°C MAX	WATTS AT 20°C NOMINAL
			MIN	MAX			
0.10	0.10	0.20	2.50	4.50	4.0	7.5	0.38

Agency Recognitions:

UL, CSA, TUV

Approved by UL as a current limiting impedance, per the 1996 NEC, Tables 11 (c) and 11 (b). PS300

Reference Documents:

Precedence:

This specification takes precedence over documents referenced herein.

Effectivity:

Reference documents shall be the issue in effect on the date of invitation for bid.

CAUTION:

Operation beyond the rated voltage or current may result in rupture, electrical arcing or flame.

Materials Information

ROHS Compliant

ELV Compliant

Pb-Free

Directive 2002/95/EC Compliant

Directive 2000/53/EC Compliant

